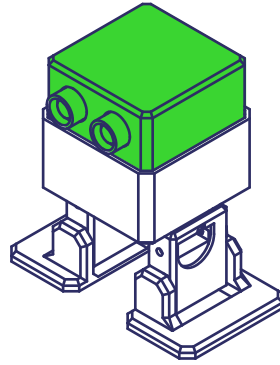
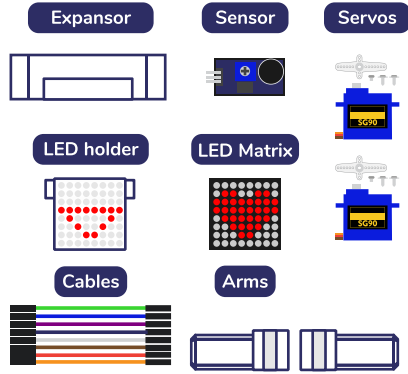


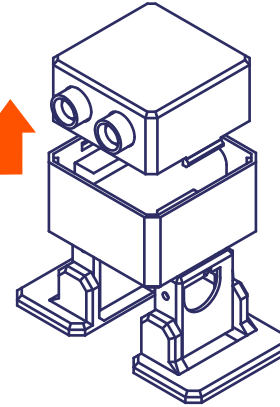
# Hello! Otto Builder



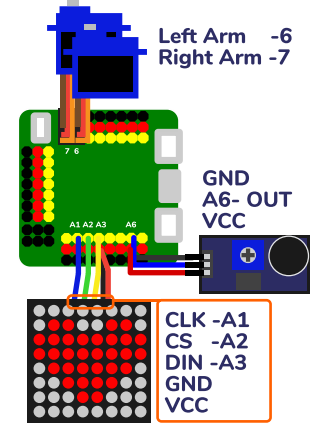
Are you ready  
to expand me?



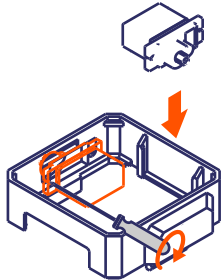
1



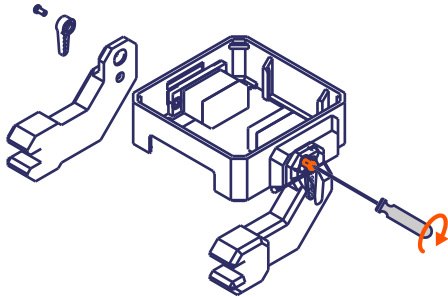
2



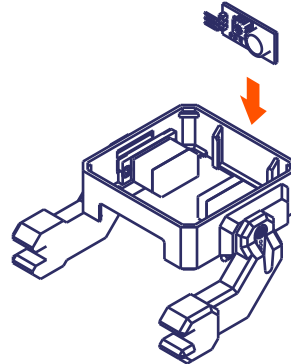
3



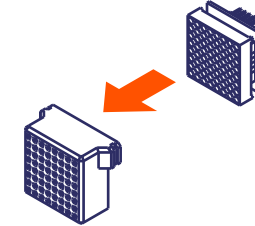
4



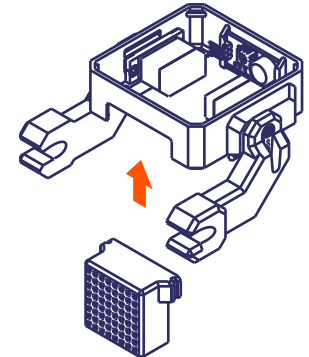
5



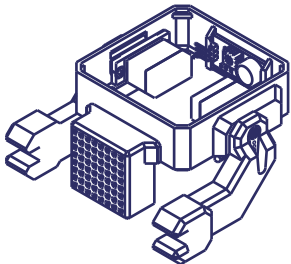
6



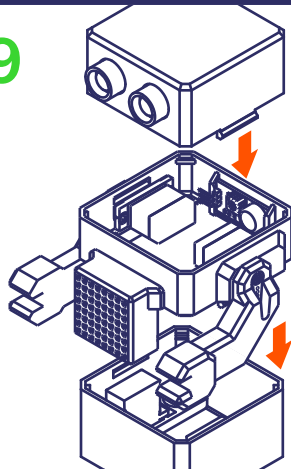
7



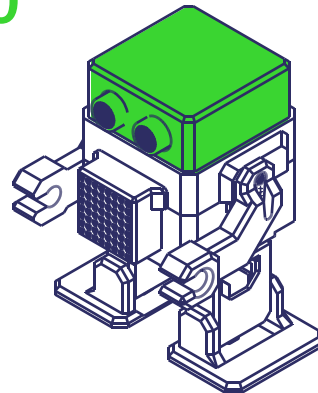
8



9



10



```

Setup
  Mouth Pins CLK [A1] CS [A2] DIN [A3] rotate 0°
  Mouth heart
  Mouth text I AM OTTO

Loop
  if Sound (MIC) Pin [A6] 0-1023 >= 500
  then
    Mouth happy1
    Rotate Servo Pin [6] angle [0°-180°] 120° 500
    Rotate Servo Pin [7] angle [0°-180°] 60° 500
    Rotate Servo Pin [6] angle [0°-180°] 60° 500
    Rotate Servo Pin [7] angle [0°-180°] 120° 500
  Mouth sad1
  
```

ttodiy.com/academy

WARNING: CHOKING HAZARD  
Small parts: NOT for Children under 3 years



ottodiy.com

ottodiy